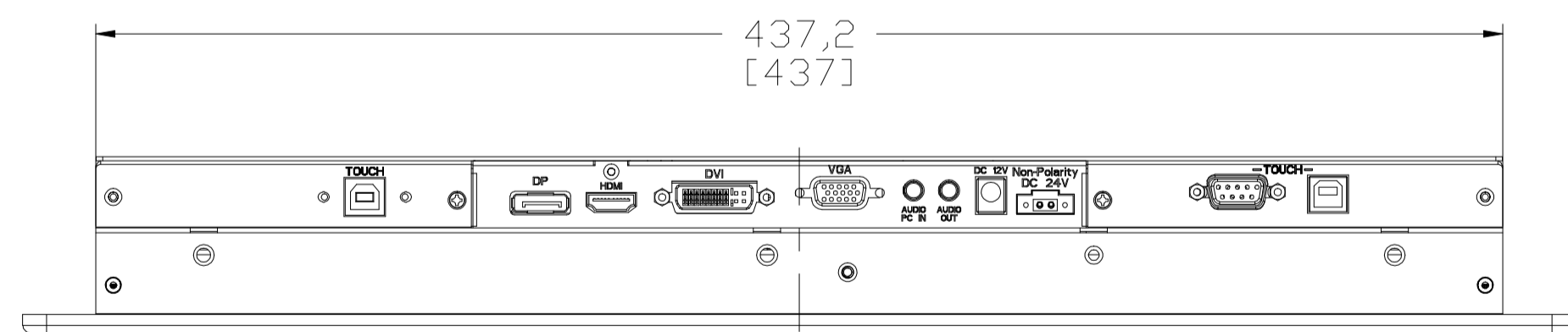
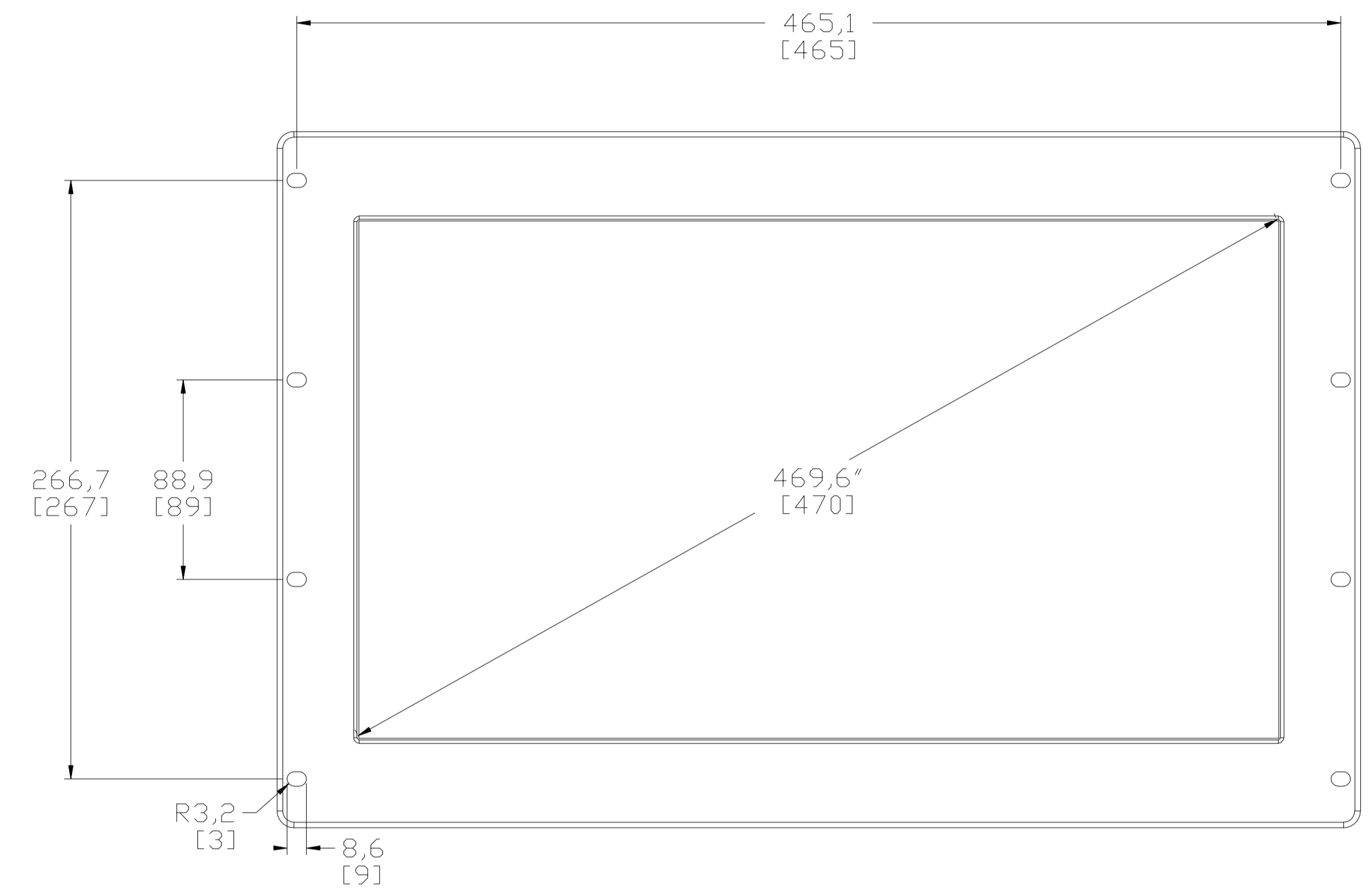
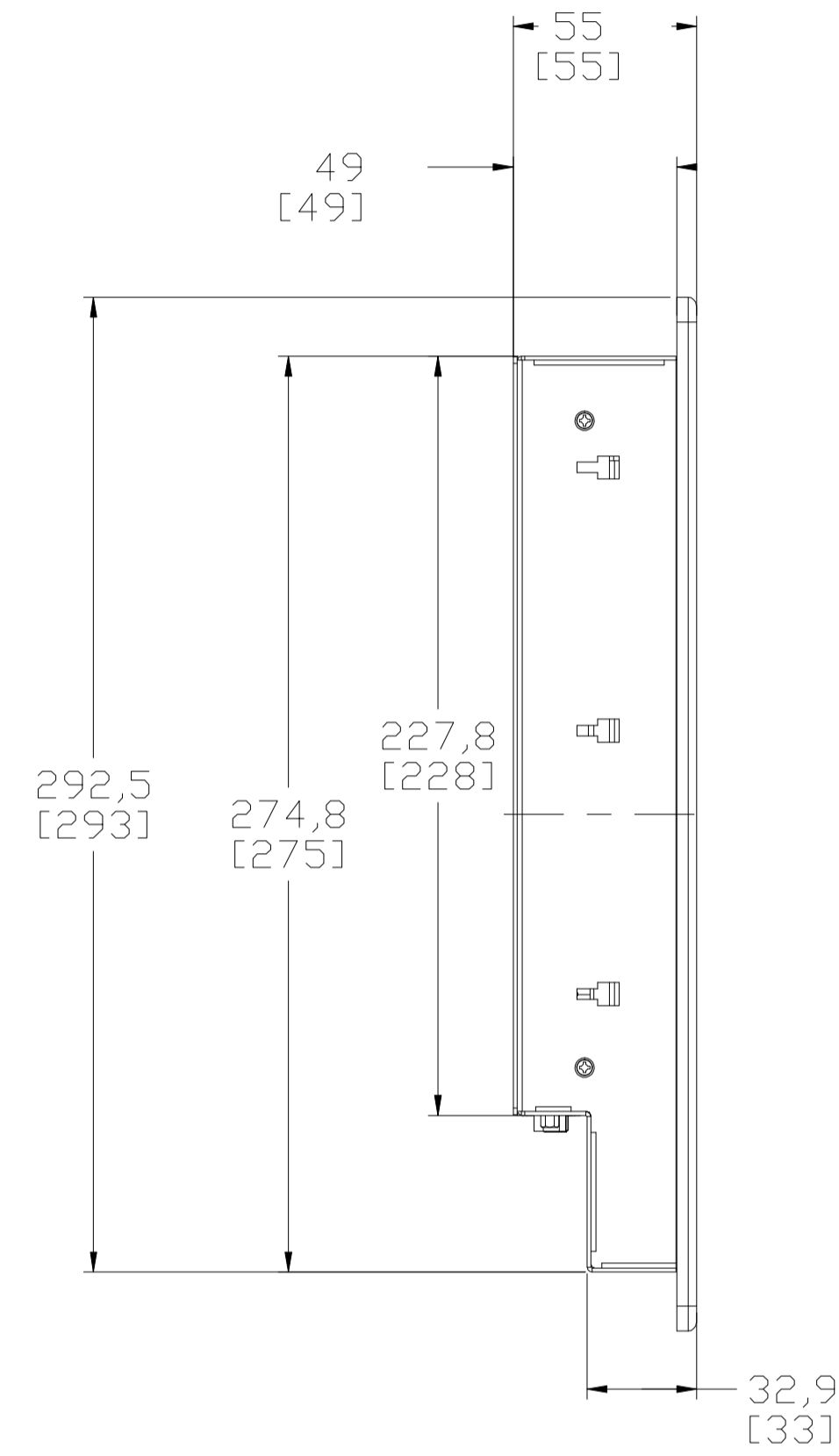
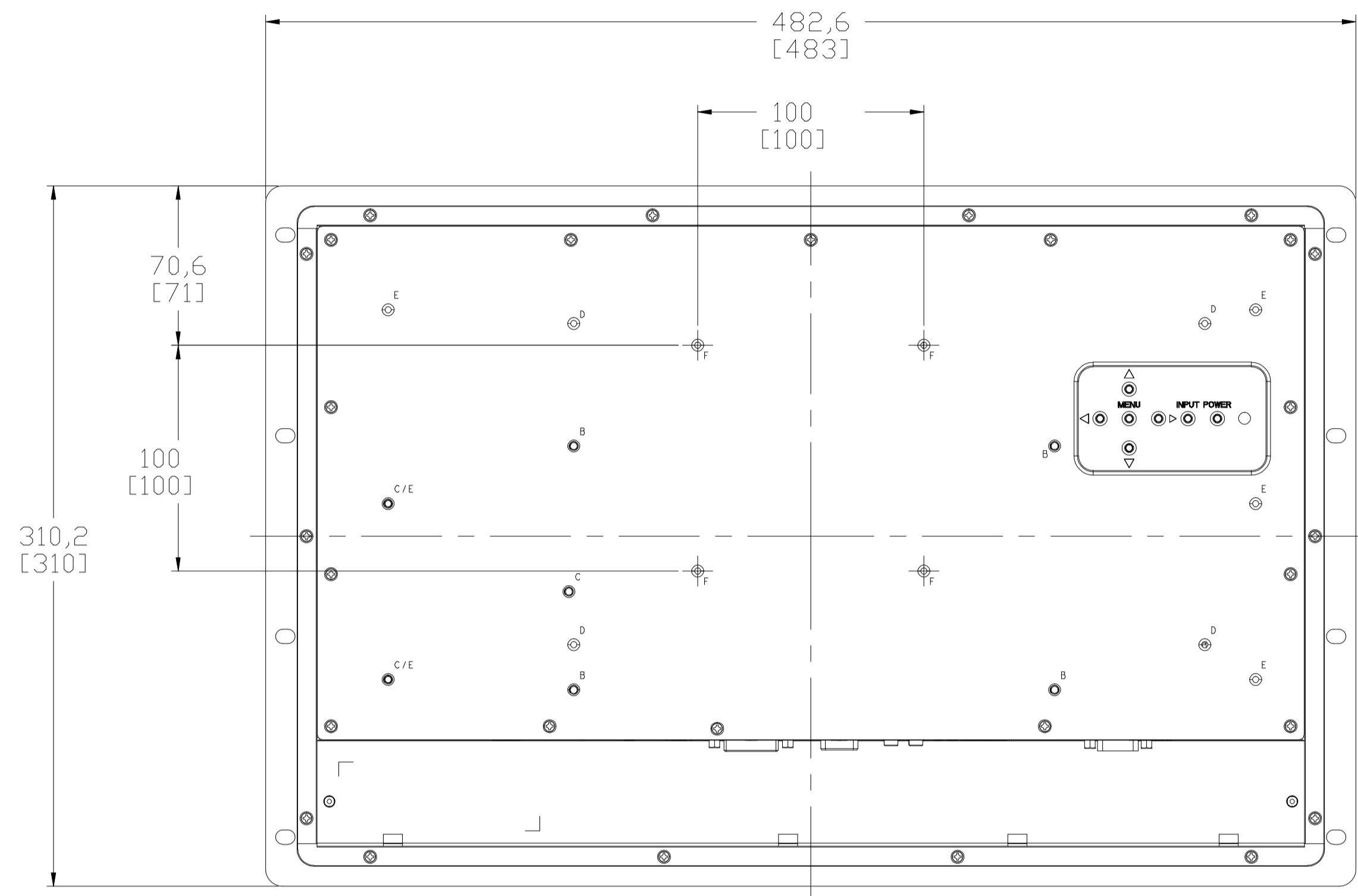


PARTS LIST			
ITEM	QTY	DESCRIPTION	P/N



ALL DIMENSIONS IN MILLIMETRES
 THIRD ANGLE PROJECTION

ZONE	REV	DESCRIPTION	DATE	APPROVED
REVISIONS				

The information disclosed on this document is the exclusive property of ARISTA CORPORATION. Reproduction, disclosure, or the use of this document or information without the written permission of ARISTA CORPORATION is prohibited.	TOLERANCES	A	B	C	ARISTA CORPORATION 40675 Encyclopedia Circle, Fremont, CA 94538 TITLE 0_ADM-1818AR-V2_0-ARJ8800
	0-30mm	±0.1	±0.25	±0.6	
	30-120mm	±0.15	±0.46	±1.1	
	120-315mm	±0.2	±0.6	±1.6	
	>315mm	±0.3	±1.1	±2.5	
DRN			DATE	12/7/18	
CHECKED					SIZE D
DESIGN					FSCM NO.
ECN					DWG NO.
					REV
					SCALE
					INV. NO.
					SHEET OF